



COBRA MARINE
US CORPORATION

Highway, Suite 110,
Boca Raton, Florida 33432-2848
Reg No.: 400392603084

(US) 561 612 1575 | sales@cobraribs.com
www.cobraribs.com



COBRA MARINE
US CORPORATION



MARINIQUE

THE ULTIMATE **FAMILY**
ADVENTURE RIB



An aerial photograph showing the white, frothy wake of a boat moving through deep teal water. The wake is a prominent, textured line that curves slightly to the left, creating a sense of motion and speed. The water's color is a rich, dark green, and the overall scene is captured from a high angle, looking down at the boat's path.

ABOUT **COBRA**

Cobra RIBs was founded in 1988 and has remained an independent family business ever since. The company's extraordinary approach to craftsmanship, quality and attention to detail is equalled only by the passion and dedication of the people who design and build these exceptional boats. As a result, Cobra Ribs has established a global reputation of excellence and a strong customer following.

The unique relationship between those who create Cobra RIBs and those who experience the adventure of driving them has helped to create a compelling British brand that invites power boat enthusiasts from across the globe to 'Join the Adventure'. Each Cobra Rib is individually crafted with bespoke design to suit your individual needs. Starting at an entry level 21ft, right through to 33ft in overall length, there is a boat in the Marinique range to suit everyone.

GENERATION **ONE**

1988 - 2001

Cobra RIBs founded its reputation for build quality and sea keeping, putting them at the forefront of the RIB market. Cobra was unique in building not only commercially based RIBs but was one of the first companies to see the leisure market potential.



GENERATION **TWO**

2000 - 2006

In 2000 Cobra launched an update to the original Marinique range, focussing on Family Adventure Ribs and keeping Cobra at the forefront of the leisure RIB market. Our customers were first asked to 'Join the Adventure'.



GENERATION **THREE & FOUR**

2007 - 2016

Cobra introduced the popular and compact 22ft as the smallest boat to the Marinique range. This generation also saw a new 'deeper V' hull design on the 25ft Marinique and upwards, providing boats with increased performance and further edge in rough seas.



GENERATION **FIVE**

2016 - PRESENT

Cobra launches generation five of the Marinique range at the Southampton Boat Show 2016. Designed completely from the ground up, this range set a new standard in the Rib market, proving that once again Cobra Ribs are the flag bearers for the Ultimate Adventure Rib.





OUR HERITAGE

The evolution of Cobra RIBs has spanned more than 30 years and we remain the sole designer and manufacturer of the now highly respected Cobra RIBs brand. We are proud of our heritage - from humble beginnings in 1988, to the producer of the now world-renowned, Deep V Hulled, Marinique powerboat range.

Since our beginning, we have launched 5 generations of the Marinique model, which today remains at the forefront of the RIB market and has become synonymous globally with the phrase the 'Ultimate Family Adventure RIB'. All Cobras are custom built in the UK using only the finest materials.

BUILDING HAND-CRAFTED **BRITISH** RIBS FOR
OVER **30 YEARS** AND COUNTING...

Steve Arkell
Chairman





THE BUILD

Our handcrafted build process is something we pride ourselves on. We have a strong belief that our boats are of much higher quality being hand-finished. We have stayed dedicated to creating handcrafted boats for over 30 years.

This is translated into our design process; we create full detailed design drawings to show how the boat will look and feel, before transferring this into CAD drawings, to be refined and tested for functionality. All our boats are moulded from a high precision 5-axis CNC machine, which works to a tolerance of +/- 0.005, meaning all our boats are built to the exact design specification.

Our suspension helm seating has been specifically designed so that all mechanisms are integrated to hide any unsightly mechanics, as well as protect them from the sea air. We are delighted with the resulting design and are certain you will be too as it is now offered as a standard across the entire Marinique range.

All our boats go through demanding quality control checks before leaving our South Coast (UK) factory. We are very passionate about giving our customers the best possible finish and we pride ourselves on our level of quality.



HULL CONSTRUCTION

Our hulls are manufactured using the latest materials with the joint aims of improving stiffness, improving longevity, and minimising environmental impact.

The Cobra design maximises stiffness by using a monocoque structure. This structure style provides the solid, comfortable, and reliable feel when operating the boat in rough water.

The fibreglass construction is the culmination of over 30 years of manufacturing experience in the UK.

TUBE CONSTRUCTION

All our tubes are assembled from the finest materials available. We specifically designed our tubes to be able to handle all weather, temperature, and sea conditions, which meant when picking the tube material, it needed to be able to perform consistently, whatever the circumstance.

Our tube design offers functionality and practicality without compromising on style. Cobra's tubes are cut and applied by hand, to offer you the best fit, performance, and durability on the market.



21_{FT}

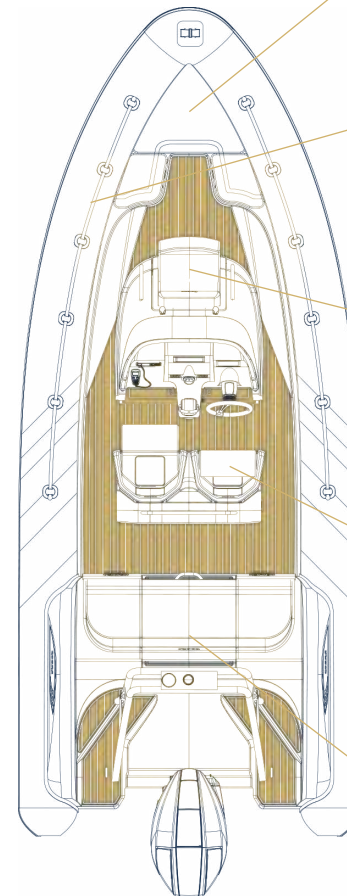


21 FT **MARINIQUE**

The Cobra 21ft is in a class of its own when it comes to performance, handling, accommodation, and storage. Easy to tow and simple to launch with most family cars, she will be in the water ready for play in minutes. With a generous 45 US gallon aluminium fuel tank, this boat gives hours of pleasure for both water sports and day trips.

Images to the left show some of the many color options that we can offer. For full color choices, please refer to the back page.

Layout **One**



The walk-in bow allows for extra seating on board when needed.

Our tube design offers functionality and practicality without compromising on style. Cobra's tubes are hand built to offer you the best performance and durability on the market.

In front of the console, the aptly named 'flying seat', is arguably the best seat on the boat, providing you with the ultimate thrill, just as if you really are flying!

Supplied with our unique design of suspension seats, making the 21ft a top choice for comfort beyond imagination, soft ride, and performance handling in any state of water.

The spacious and luxurious aft, bench seating is perfect for people carrying; easily transforming into a great sociable space when moored or at anchor. All the seating has cavernous storage underneath.



COBRA SPECIFICATION

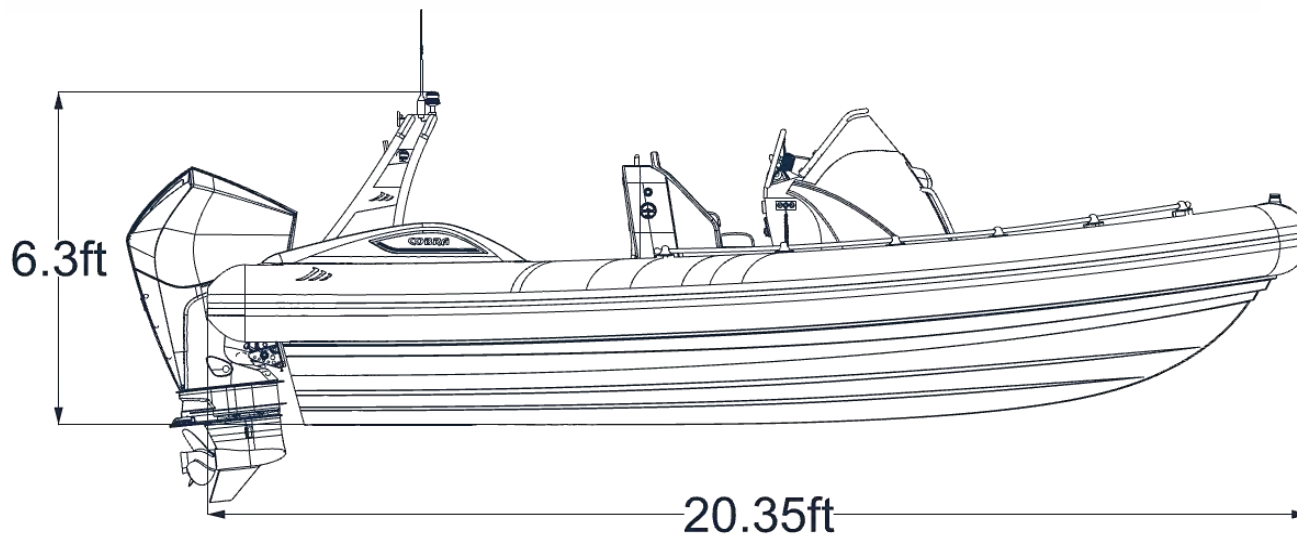
- 45 US Gallon Aluminium Tank
- Suspension Helm Seating
- Automatic Bilge Pump
- Boarding Ladder
- Stainless Steel A frame
- Synthetic Teak Decking
- Full Electrical Package
- Twin Battery System
- Phone & USB Charging Points

MODEL SPECIFICATION

- LOA 20.35ft
- Max power (Hp) 150
- Max persons 6
- CE category C
- ABYC Standards

EXAMPLE COLORS

- GRP Color White
- Tube Color Black
- Upholstery Color Carbon







23_{FT}

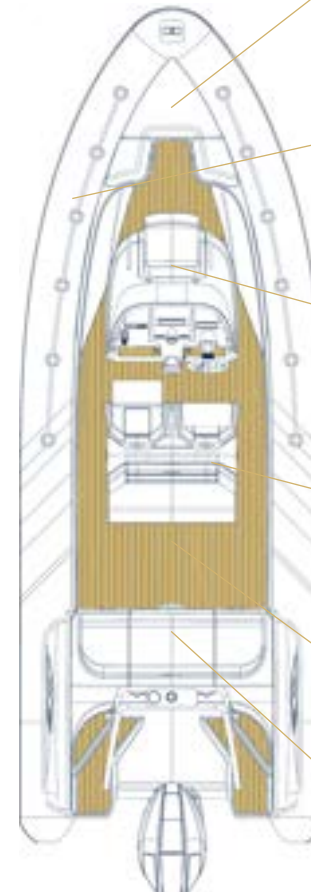


23 FT **MARINIQUE**

The Cobra Marinique 23ft may be compact, but still offers plenty of social and storage space. Easy to tow, simple to slip, yet packed with punch, this family friendly rib allows for great versatility, whatever adventures you might plan.

Images to the left show some of the many color options that we can offer. For full color choices, please refer to the back page.

Layout **One**



The walk-in bow allows for extra seating on board when needed.

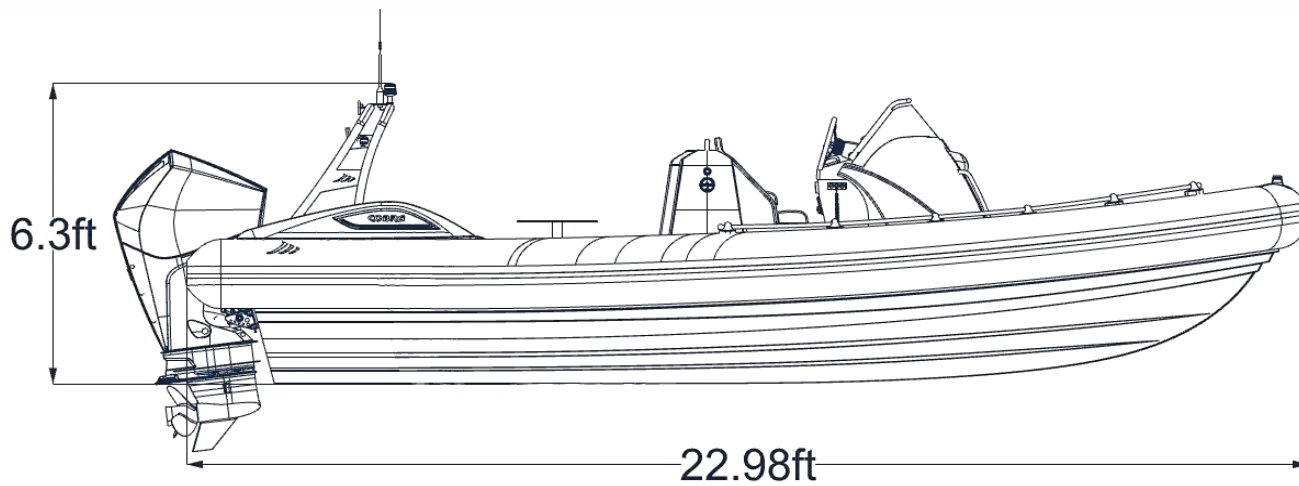
Our tube design offers functionality and practicality without compromising on style. Cobra's tubes are hand built to offer you the best performance and durability on the market.

The forward facing 'flying seat' is often sought out as the most thrilling seat on the boat.

Supplied with our unique design of suspension seats, making the 23ft a top choice for comfort beyond imagination, soft ride, and performance handling in any state of water.

The addition of the removable table creates a sociable dining area.

The spacious and luxurious aft, bench seating is perfect for people carrying; easily transforming into a great sociable space with the addition of our optional oval dining table, working particularly well with the rotating helm seating. The aft seating benefits from cavernous storage underneath.



COBRA SPECIFICATION

- 50 US Gallon Aluminium Tank
- Suspension Helm Seating
- Rear Facing Seat with Removable Table
- Automatic Bilge Pump
- Boarding Ladder
- Stainless Steel A frame
- Synthetic Teak Decking
- Full Electrical Package
- Twin Battery System
- Phone & USB Charging Points

MODEL SPECIFICATION

- LOA 22.98ft
- Max power (Hp) 225
- Max persons 8
- CE category B
- ABYC Standards

EXAMPLE COLORS

- GRP Color Grey
- Tube Color Black
- Upholstery Color Basil



COBRA



25 FT

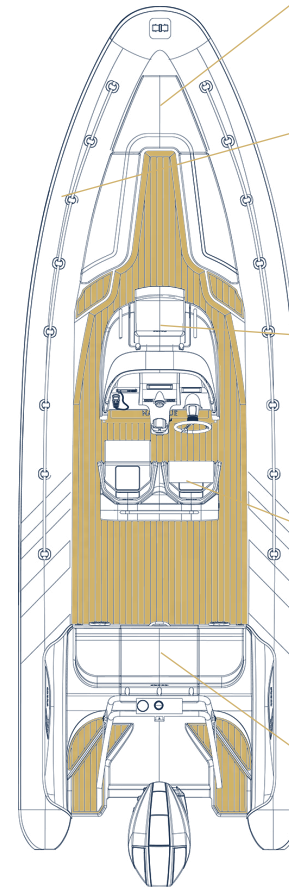


25 FT **MARINIQUE**

The Cobra Mariniq 25ft is the first size in the Mariniq range to offer the Generation V hull design and a full length, bow sun bed, which also converts to a wrap round seating area with central table. The 25ft is truly engineered for adventure!

Images to the left show some of the many color options that we can offer. For full color choices, please refer to the back page.

Layout **One**



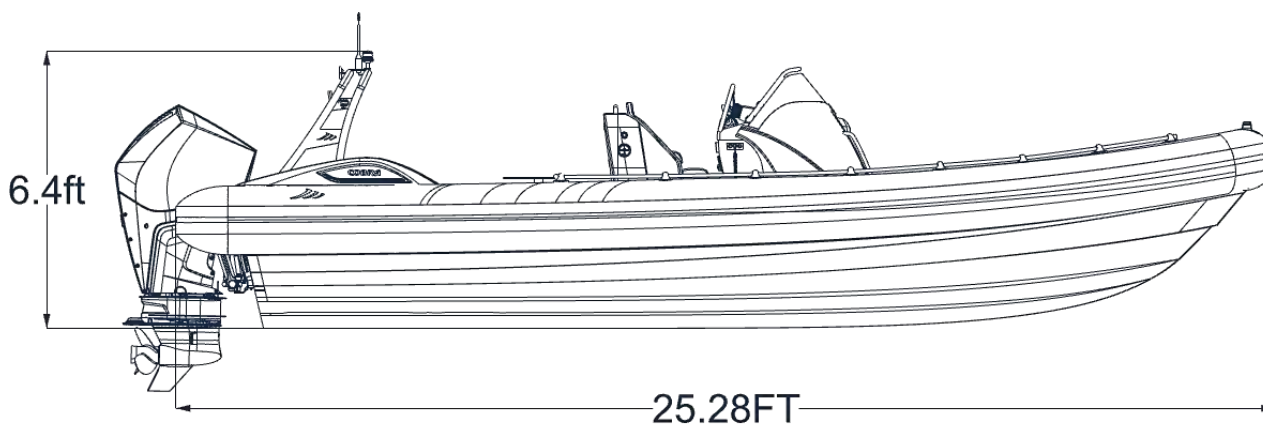
The walk-in bow allows for extra seating on board when needed.

Our tube design offers functionality and practicality without compromising on style. Cobra's tubes are hand built to offer you the best performance and durability on the market.

The forward facing 'flying seat' is often sought out as the most thrilling seat on the boat.

Supplied with our unique design of suspension seats, making the 25ft a top choice for comfort beyond imagination, soft ride, and performance handling in any state of water.

The spacious and luxurious aft, bench seating is perfect for people carrying; easily transforming into a great sociable space with the addition of our optional oval dining table, working particularly well with the rotating helm seating. The aft seating benefits from cavernous storage underneath.



COBRA SPECIFICATION

- 70 US Gallon Aluminium Tank
- Bow Seating Area Which Converts to Full Length Sun Pad
- Removable Table for Sociable Dining Area
- Suspension Helm Seating
- Automatic Bilge Pump
- Boarding Ladder
- Stainless Steel A frame
- Synthetic Teak Decking
- Full Electrical Package
- Twin Battery System
- Phone & USB Charging Points

MODEL SPECIFICATION

- LOA 25.28ft
- Max power (Hp) 300
- Max persons 11
- CE category B
- ABYC Standards

EXAMPLE COLORS

- GRP Color White
- Tube Color Ocean Blue
- Upholstery Color Plata





27_{FT}

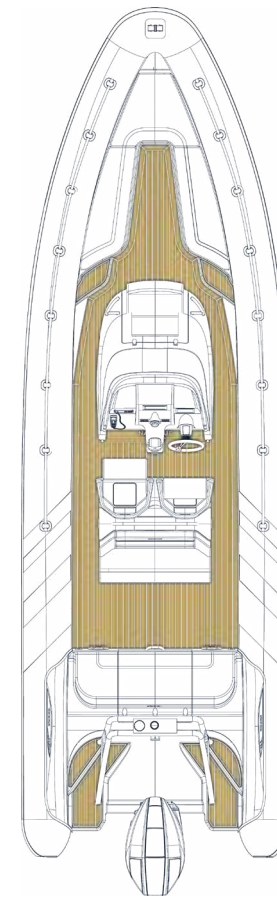


27 FT MARINIQUE

The Cobra Mariniq 27ft has exemplary sea-keeping qualities thanks to the latest 'Generation V' hull design. It's a joy to helm and one of the most sociable ribs on the market, with plenty of seats for both friends and family. The step up to 27ft in length improves rough water performance as well as giving additional deck space to improve social seating or add another row of suspension seats. An extensive range of engine choice and layout options enables you to create a unique and bespoke craft. T-Top is only available on layout one with heads console.

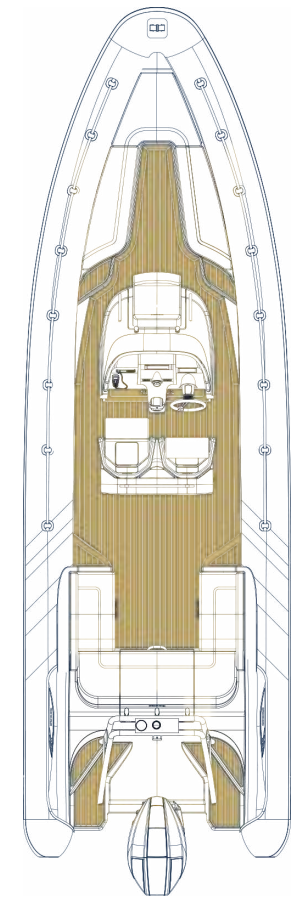
Images to the left show some of the many color options that we can offer. For full color choices, please refer to the back page.

Layout **One**

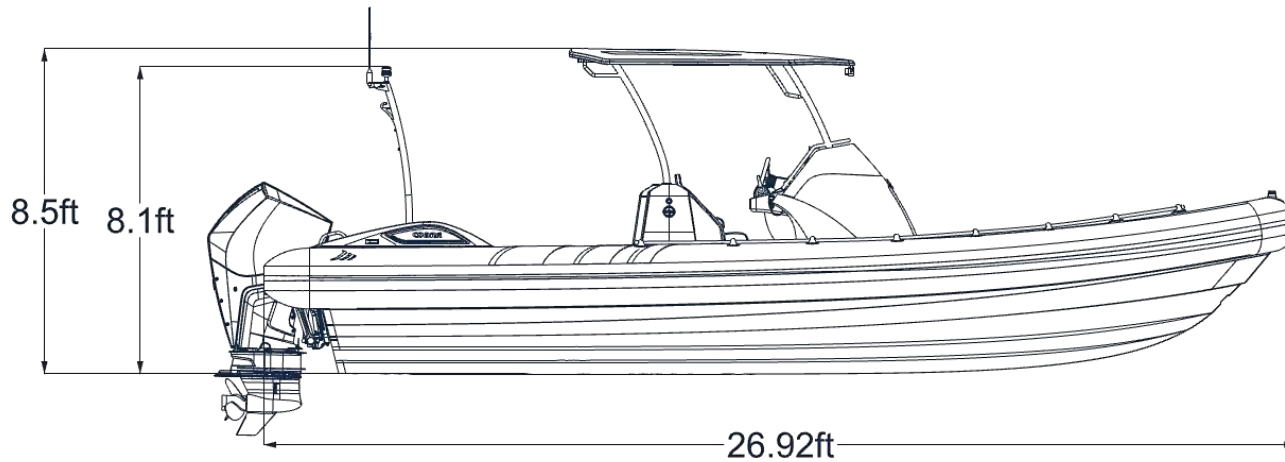


- Walk in bow with additional seating
- Bow seating that converts to full length sun bed
- 'Flying Seat' console with toilet
- Hand built tubes
- Ergonomic dashboard with Garmin GPS
- Suspension helm seating
- Dual aspect helm seat
- Spacious aft bench seating

Layout **Two**



- Walk in bow with additional seating
- Bow seating that converts to full length sun bed
- 'Flying Seat'
- Hand built tubes
- Ergonomic dashboard with Garmin GPS
- Suspension helm seating
- Wrap around U-shaped aft seating



COBRA SPECIFICATION

- 80 US Gallon Aluminium Tank
- Option of Full Heads with Fresh Water Stern Shower
- Option of Fibreglass T-Top
- Bow Seating Area Which Converts to Full Length Sun Pad
- Rear Facing Seat with Removable Table
- Suspension Helm Seating
- Automatic Bilge Pump
- Boarding Ladder
- Synthetic Teak Decking
- Full Electrical Package
- Twin Battery System
- Phone & USB Charging Points

MODEL SPECIFICATION

- LOA 26.92ft
- Max power (Hp) 400
- Max persons 12
- CE category B
- ABYC Standards

EXAMPLE COLORS

- GRP Color White
- Tube Color Black
- Upholstery Color Cobre





29_{FT}

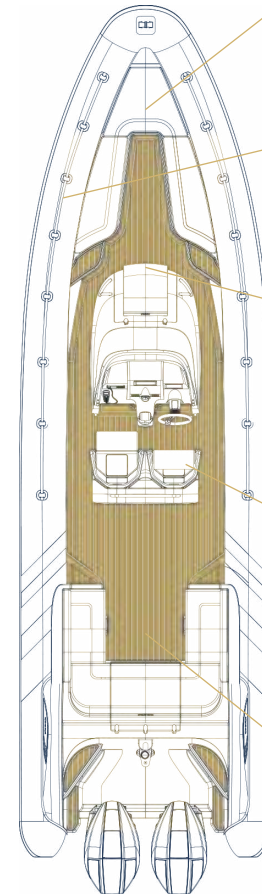


29 FT MARINIQUE

The Cobra Mariniq 29ft gives all the space you could want for your on-water adventures. Flexibly designed, multiple layout options allow you to create a bespoke Cobra as individual as you are. In design, performance, and comfort the 29ft is the envy of its peers.

Images to the left show some of the many color options that we can offer. For full color choices, please refer to the back page.

Layout **One**



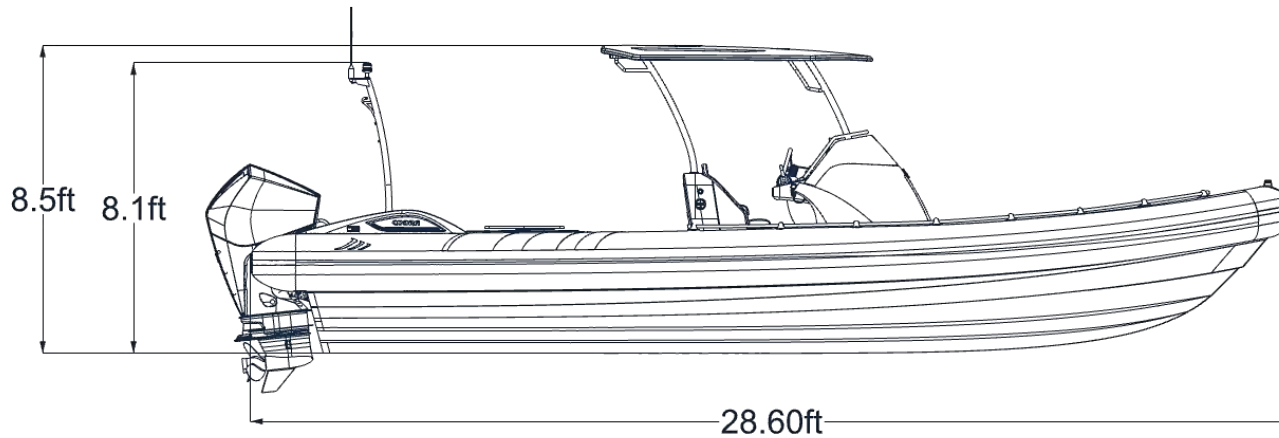
The walk-in bow allows for extra seating on board when needed.

Our tube design offers functionality and practicality without compromising on style. Cobra's tubes are hand built to offer you the best performance and durability on the market.

The forward facing 'flying seat' is often sought out as the most thrilling seat on the boat.

Supplied with our unique design of suspension seats, making the 29ft a top choice for comfort beyond imagination, soft ride, and performance handling in any state of water.

The spacious and luxurious aft, bench seating and wrap around U-shape is perfect for people carrying; easily transforming into a great sociable space with the addition of our optional fold out table, working particularly well with the rotating helm seating. The aft seating benefits from cavernous storage underneath.



COBRA SPECIFICATION

- 100 US Gallon Aluminium Tank
- Twin Engine
- Full Heads with Fresh Water Stern Shower
- Option of Fibreglass T-Top
- Bow Seating Area Which Converts to Full Length Sun Pad
- Sociable U shape Seating with Fold Out Table
- Suspension Helm Seating
- Automatic Bilge Pump
- Boarding Ladder
- Synthetic Teak Decking
- Full Electrical Package
- Phone & USB Charging Points

MODEL SPECIFICATION

- LOA 28.60ft
- Max power (Hp) 500
- Max persons 12
- CE category B
- ABYC Standards

EXAMPLE COLORS

- GRP Color White
- Tube Color Ocean Blue
- Upholstery Color Champagne





31_{FT}

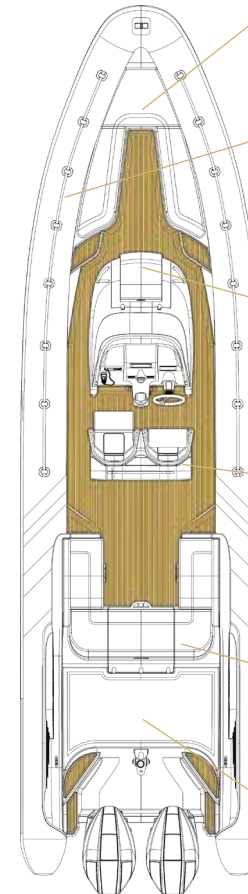


31 FT **MARINIQUE**

The Cobra Marinique 31ft is one of the UK's favourite family RIBs. Designed and manufactured in Britain, this stylish, sizeable RIB is your passport to action-packed family fun. In design, performance, and comfort she is the envy of her peers and in dryness, softness of ride and rough water handling, this model truly excels. Equipped with 2 x 300hp outboard, this truly provides thrill-seeking performance. Use the extra deck space to customise the design elements key to you. Storage, sunbathing space, social or high-speed seating. Improved sea keeping comfort over its smaller counterparts.

Images to the left show some of the many color options that we can offer. For full color choices, please refer to the back page.

Layout **One**



The walk-in bow allows for extra seating on board when needed.

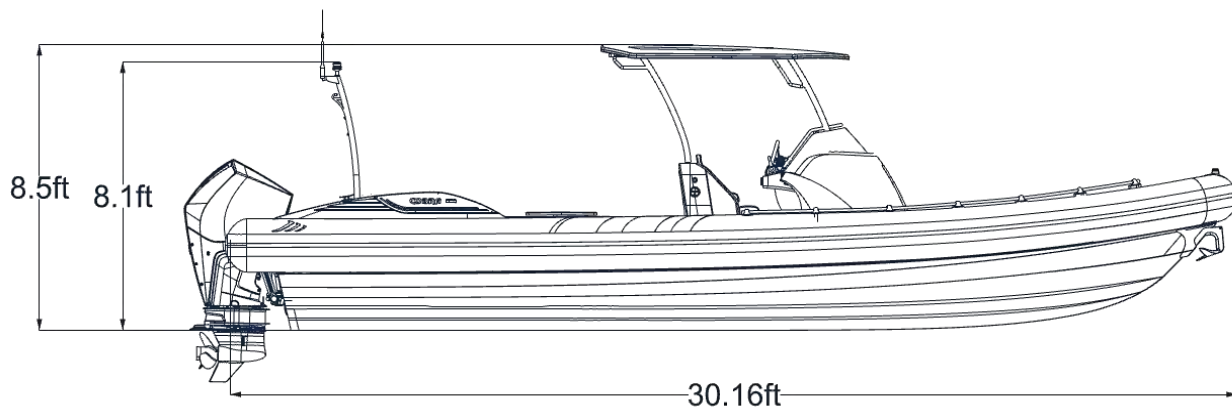
Our tube design offers functionality and practicality without compromising on style. Cobra's tubes are hand built to offer you the best performance and durability on the market.

The forward facing 'flying seat' is often sought out as the most thrilling seat on the boat.

Supplied with our unique design of suspension seats, making the 31ft a top choice for comfort beyond imagination, soft ride, and performance handling in any state of water.

The spacious and luxurious aft, bench seating and wrap around U-shape is perfect for people carrying; easily transforming into a great sociable space with the addition of our optional fold out table, working particularly well with the rotating helm seating. The aft seating benefits from cavernous storage underneath.

Spacious Sunbathing area at the stern, with generous storage underneath.



COBRA SPECIFICATION

- 115 US Gallon Aluminium Tank
- Twin Engine
- Full Heads with Fresh Water Stern Shower
- Option of Fibreglass T-Top
- Bow Seating Area Which Converts to Full Length Sun Pad
- Sociable U shape Seating with Fold Out Table
- Large Rear Sunbathing Area & Storage Locker
- Suspension Helm Seating
- Automatic Bilge Pump
- Boarding Ladder
- Synthetic Teak Decking
- Full Electrical Package
- Phone & USB Charging Points

MODEL SPECIFICATION

- LOA 30.16ft
- Max power (Hp) 600
- Max persons 13
- CE category B
- ABYC Standards

EXAMPLE COLORS

- GRP Color Black
- Tube Color Military Grey
- Upholstery Color Wine





33 FT



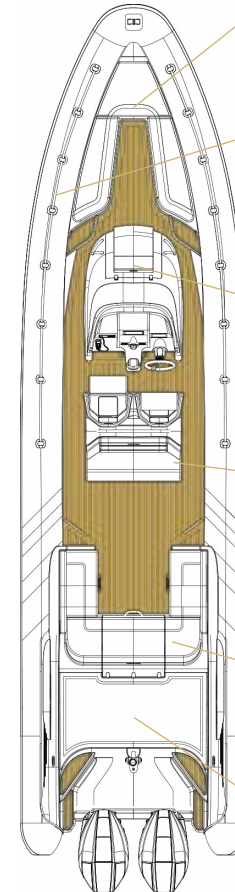
33 FT MARINIQE

The Cobra Mariniqe 33ft is a RIB of unquestionable style and quality. Designed and manufactured in Britain, you'll find this capacious family craft effortlessly performs – making it a popular choice for comfort, ride and handling.

Flagship model which enables all design features available in the Mariniqe range to be combined. No sacrifice or compromise is necessary. The 33ft creates a perfect balance between storage, social space and performance.

Images to the left show some of the many color options that we can offer. For full color choices, please refer to the back page.

Layout **One**



The walk-in bow allows for extra seating on board when needed.

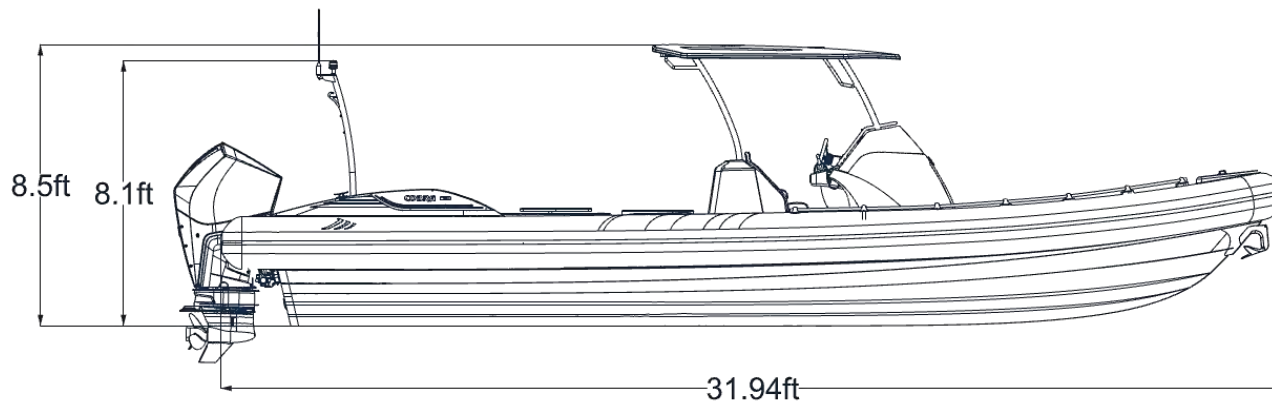
Our tube design offers functionality and practicality without compromising on style. Cobra's tubes are hand built to offer you the best performance and durability on the market.

The forward facing 'flying seat' is often sought out as the most thrilling seat on the boat.

Supplied with our unique design of suspension seats, making the 33ft a top choice for comfort beyond imagination, soft ride, and performance handling in any state of water.

The spacious and luxurious aft, bench seating and wrap around U-shape is perfect for people carrying; easily transforming into a great sociable space with the addition of our optional fold out table, working particularly well with the rotating helm seating. The aft seating benefits from cavernous storage underneath.

Spacious Sunbathing area at the stern, with generous storage underneath.



COBRA SPECIFICATION

- 130 US Gallon Aluminium Tank
- Twin Engine
- Full Heads with Fresh Water Stern Shower
- Option of Fibreglass T-Top
- Bow Seating Area Which Converts to Full Length Sun Pad
- Sociable U shape Seating with Fold Out Table
- Rear Facing Helm Seat
- Large Rear Sunbathing Area & Storage Locker
- Suspension Helm Seating
- Automatic Bilge Pump
- Boarding Ladder
- Synthetic Teak Decking
- Full Electrical Package
- Phone & USB Charging Points

MODEL SPECIFICATION

- LOA 31.94ft
- Max power (Hp) 700
- Max persons 14
- CE category B
- ABYC Standards

EXAMPLE COLORS

- GRP Color Grey
- Tube Color Neptune Grey
- Upholstery Color Macadamia







MAKE IT YOUR OWN

We understand that all our customers have different tastes and requirements for their boats, which is why we offer fully customizable boat Colors, from tubes to upholstery. It is our passion to offer a personalised approach to our customers when selecting the finer details on the boat.

UPHOLSTERY COLORS - SILVERTEX®



CARBON
122-9002
19-3902 TPX



TITANIUM
122-4010
18-4005 TPX



PLATA
122-4001
14-4203 TPX



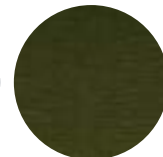
ICE
122-4004
11-4310 TPX



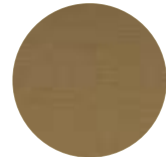
SAPPHIRE
122-3007
19-4028 TPX



DELFT
122-3067
19-4052 TPX



BASIL
122-5020
18-0435 TPX



CHAMPAGNE
122-1078
16-1324-TPX



SISAL
122-1051
14-1112 TPX



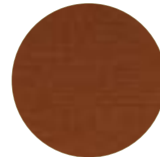
MACADAMIA
122-0001
15-4503 TPX



WINE
122-2064
19-1532 TPX



SUNKIST
122-2012
18-1449 TPX



COBRE
122-5008
16-0532 TPX

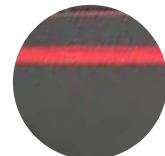


ORANGE
122-0013
16-1439 TPX

UPHOLSTERY STITCHING FINISH



STANDARD STITCH
Pipe & Stripe
Available in all Colors



STANDARD STITCH
Pipe & Stripe
Available in all Colors



DIAMOND STITCH
Available in all Colors

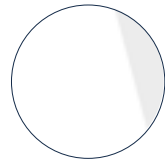


DIAMOND STITCH
Available in all Colors

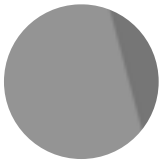
This is just an indication of some popular color choices, however we can produce almost any style or color you have in mind. Don't hesitate to contact us to help find your perfect look.



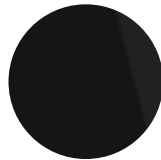
GRP COLORS



WHITE



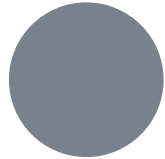
LIGHT GREY



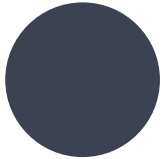
BLACK



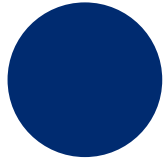
TUBE COLORS - ORCA HYPALON CARBON



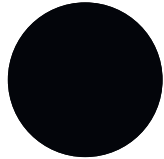
NEPTUNE GREY



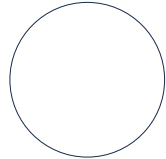
MILITARY GREY



OCEAN BLUE



BLACK



OFF WHITE



DECKING COLORS



GRAPHITE
SILVER CAULKING



TRADITIONAL ELITE
WHITE CAULKING



TRADITIONAL ELITE
SILVER CAULKING



TRADITIONAL ELITE
BLACK CAULKING



GREY
BLACK CAULKING